

EASILY CONFIGURED TO MEET YOUR NEEDS

FORK

- Load platform

POWER

- Standard winch

BASE

- Standard base

WHEEL / CASTER OPTIONS

- 8 in (20 cm) non-marking rear wheels
- Pneumatic 8 in (20 cm) rear wheels for rough terrain
- 2 in (5 cm) non-marking front swivel casters

OPTIONS & ACCESSORIES

PRODUCTIVITY

- 8 in (20 cm) non-marking rear wheels
- Pneumatic 8 in (20 cm) rear wheels for rough terrain
- 2 in (5 cm) non-marking front swivel casters
- Field-installable foot break

STANDARD FEATURES

MEASUREMENTS

- 5 ft 7 in (1.70 m) working height
- Up to 200 lb (91 kg) load capacity

PRODUCTIVITY

- Portable and compact design
- Lightweight durable aluminum construction
- High strength aircraft quality cable
- Cushioned neoprene hand grip
- Beveled aluminum platform for easy loading and unloading
- Portable - folds for compact storage
- 8 in (20 cm) non-marking rear wheels
- Stair glides for easy handling on stairs
- Hold-down mechanism secures for transport

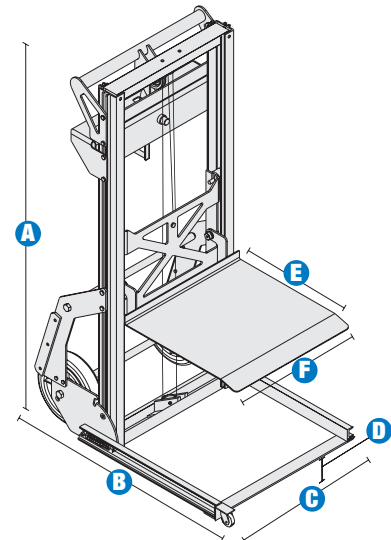
POWER

- Standard quiet high-speed winch
- Reversible winch handle for easy storage



Specifications

MODEL	LOAD LIFTER™	
MEASUREMENTS	US	Metric
A Height - stowed	3 ft 9 in	1.14 m
Height - platform maximum	5 ft 7 in	1.70 m
B Length - stowed	1 ft 3 in	.38 m
Length - operating	2 ft 4.75 in	.73 m
C Width - stowed	1 ft 8.5 in	.52 m
PRODUCTIVITY		
Load capacity	200 lbs	91 kg
D Load height minimum	2 in	.05 m
Ground clearance - center	.75 in	.02 m
Average cranks - standard winch	3 cranks/ft	3 cranks/.30 m
E Load platform length	1 ft 2 in	.36 m
F Load platform width	1 ft 4.75 in	.43 m
POWER		
Power source	reversible standard winch	
WEIGHT*		
	58 lbs	26 kg



* Weight will vary depending on options and/or country standards.



Sky House, Daurada Drive, Stafford, Staffordshire, ST17 4XW, U.K.

Tel: + 44 (0) 1785 244177 Fax: + 44 (0) 1785 229874

www.skyreachaccess.com

Effective Date: July, 2007. Product specifications and prices are subject to change without notice or obligation. The photographs and/or drawings in this document are for illustrative purposes only. Refer to the appropriate Operator's Manual for instructions on the proper use of this equipment. Failure to follow the appropriate Operator's Manual when using our equipment or to otherwise act irresponsibly may result in serious injury or death. The only warranty applicable to our equipment is the standard written warranty applicable to the particular product and sale and we make no other warranty, express or implied. Products and services listed may be trademarks, service marks or trade-names of Terex Corporation, Genie Industries, Inc. and/or their subsidiaries in the U.S.A. and many other countries and all rights are reserved. Terex® is a Registered Trademark of Terex Corporation in the U.S.A. and many other countries. Genie® is a Registered Trademark of Genie Industries, Inc. in the U.S.A. and many other countries. Genie is a Terex Company. Copyright © 2007 Terex Corporation.