

Specifications

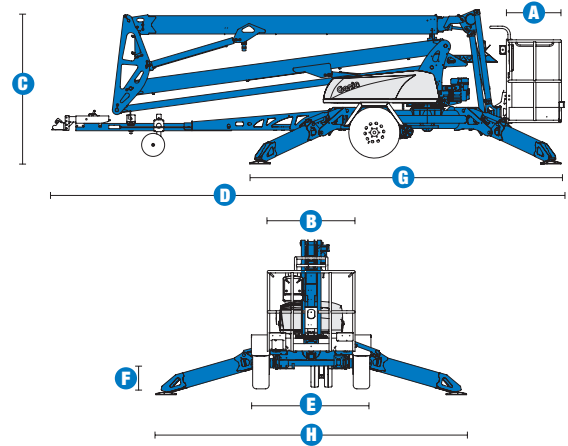
MODEL	TZ™-50	
MEASUREMENTS	US	Metric
Working height*	55 ft 6 in	17.09 m
Platform height	49 ft 6 in	15.09 m
Entry height	1 ft 8 in	.51 m
Horizontal reach	29 ft 2 in	8.89 m
Clear outreach	23 ft 1 in	7.04 m
Up and over clearance	22 ft	6.71 m
A Platform length	2 ft 2.8 in	.68 m
B Platform width	3 ft 8 in	1.12 m
C Height - stowed	6 ft 10 in	2 m
D Length - stowed	23 ft 6 in	7.16 m
E Width - stowed	5 ft 6 in	1.68 m
F Ground clearance - center	10 in	.25 m
G Length - outrigger footprint	14 ft 4 in	4.37 m
H Width - outrigger footprint	14 ft 4 in	4.37 m

PRODUCTIVITY		
Lift capacity (ANSI, CSA) - standard	500 lbs	227 kg
Lift capacity (ANSI, CSA) - rotating platform	500 lbs	227 kg
Lift capacity (CE/AUS) - standard	440 lbs	200 kg
Lift capacity (CE/AUS) - rotating platform	440 lbs	200 kg
Jib boom	4 ft 1 in	1.25 m
Jib working range	135°	
Self leveling platform	2.5° standard	
Platform rotation option	160° hydraulic	
AC power to platform	standard	
Turntable rotation	359° non-continuous	
Outrigger leveling capability	10°	
Drive speed	0.85 mph	1.37 km/h
Gradeability**	20%	
Towing speed rate	60 mph	97 km/h
Tongue weight - ANSI, CSA	400 lbs	181 kg
Tongue weight - CE	220 lbs	100 kg
Surge and parking brakes	standard	
Controls	variable speed system	
Tires - ANSI, CSA	ST 225/75 R15	
Tires - CE	215 R14C	
Coupler	2 in (5.08 cm) hitch coupler standard	

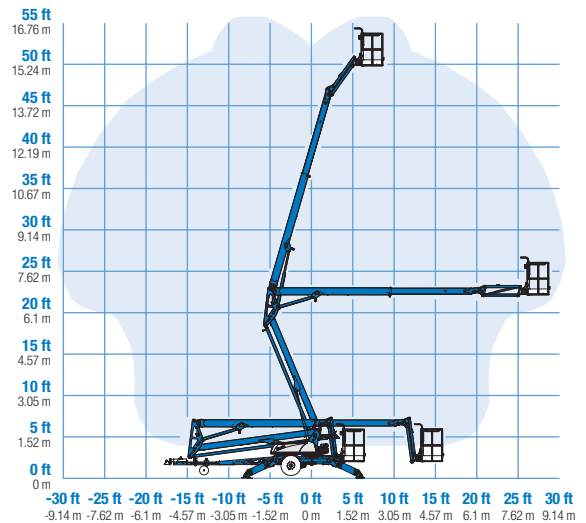
POWER		
Power source - standard	24V DC (four 6V 225 Ah batteries)	
Power source - drive option	24V DC (four 6V 244 Ah batteries)	
Power source - option	Hybrid DC/Gas Honda 5.5 hp (4.1 kW)	
Fuel tank capacity	.95 gal	3.6 L
Hydraulic tank capacity	4.75 gal	18 L
Hydraulic system capacity	8.0 gal	30 L

WEIGHT***		
ANSI, CSA, Australia	4,400 lbs	1,996 kg
CE	4,464 lbs	2,025 kg

STANDARDS COMPLIANCE ANSI A92.2, CSA C225, CE Compliance, AS 1418.10



RANGE OF MOTION TZ™-50



* The metric equivalent of working height adds 2 m to platform height. U.S. adds 6 ft to platform height.

** Gradeability applies to driving on slopes. See operator's manual for details regarding slope ratings.

*** Weight will vary depending on options and/or country standards.

Features

EASILY CONFIGURED TO MEET YOUR NEEDS

PLATFORM OPTIONS

- Aluminum 26.8 x 44 in (.68 x 1.12 m)
- 160° hydraulic platform rotation

POWER OPTIONS

- 24V DC power source
- Hybrid Honda 5.5 Hp (4.1 Kw) 45 amp charging system

DRIVE

- Drive and set option (ANSI, CSA, AUS)
- Drive only (CE)

COUPLER OPTIONS

Combination hitch

- 2 in (5.08 cm) ball coupler
- 2.31 in (5.87 cm) ball coupler
- 2.5 in (6.35 cm) I.D. pintle ring coupler
- Clevis coupler

TIRE OPTIONS

- ST 225/75 R15 tires (ANSI, CSA)
- 215 R14C tires (CE)

STANDARD FEATURES

MEASUREMENTS

- 55 ft 6 in (17.09 m) working height
- 29 ft 2 in (8.89 m) horizontal reach
- Up to 500 lb (227 kg) lift capacity

PRODUCTIVITY

- Industry leading working envelope
- Extension boom
- Self-leveling platform
- 4 ft jib with 135° working range
- AC wiring to platform
- Hydraulic outriggers
- Automatic 10° leveling system
- Outrigger interlocks
- Mechanical parking brake
- Hydraulic surge brakes
- Auxiliary pump down
- Combination hitch with coupler lever lock
- Dual jockey wheels
- 359° non-continuous turntable rotation
- Easy to access batteries
- Hour meter
- Tilt alarm / sensor
- Illuminated outrigger indicators

POWER

- 24V DC power source (four 6V 225 Ah batteries)



OPTIONS & ACCESSORIES

PRODUCTIVITY

- 160° hydraulic platform rotation
- Drive and set option with larger 244 Ah batteries pack
- 2 in (5.08 cm) ball coupler
- 2.31 in (5.87 cm) ball coupler
- 2.5 in (6.35 cm) I.D. pintle ring coupler
- Combination hitch
- Clevis coupler
- Wheel chocks
- Fluorescent tube caddy
- Full size spare tire
- Operational warning beacon package
- Non-marking outrigger footpads
- Battery charge indicator (BCI)
- Tool tray
- Bicycle guard (CE only)

POWER

- Hybrid Honda 5.5 Hp (4.1 Kw) 45 amp charging system option

Distributed By:

skyreach
access solutions

Sky House, Daurada Drive, Stafford,
Staffordshire, ST17 4XW, U.K.

Tel: + 44 (0) 1785 244177 Fax: + 44 (0) 1785 229874

www.skyreachaccess.com

Effective Date: February, 2008. Product specifications and prices are subject to change without notice or obligation. The photographs and/or drawings in this document are for illustrative purposes only. Refer to the appropriate Operator's Manual for instructions on the proper use of this equipment. Failure to follow the appropriate Operator's Manual when using our equipment or to otherwise act irresponsibly may result in serious injury or death. The only warranty applicable to our equipment is the standard written warranty applicable to the particular product and sale and we make no other warranty, express or implied. Products and services listed may be trademarks, service marks or trade-names of Terex Corporation, Genie Industries, Inc. and/or their subsidiaries in the U.S.A. and many other countries and all rights are reserved. Terex® is a Registered Trademark of Terex Corporation in the U.S.A. and many other countries. Genie® is a Registered Trademark of Genie Industries, Inc. in the U.S.A. and many other countries. Genie is a Terex Company. © 2008 Terex Corporation.

TZ50 3.5K 0208J. Part No. 109373