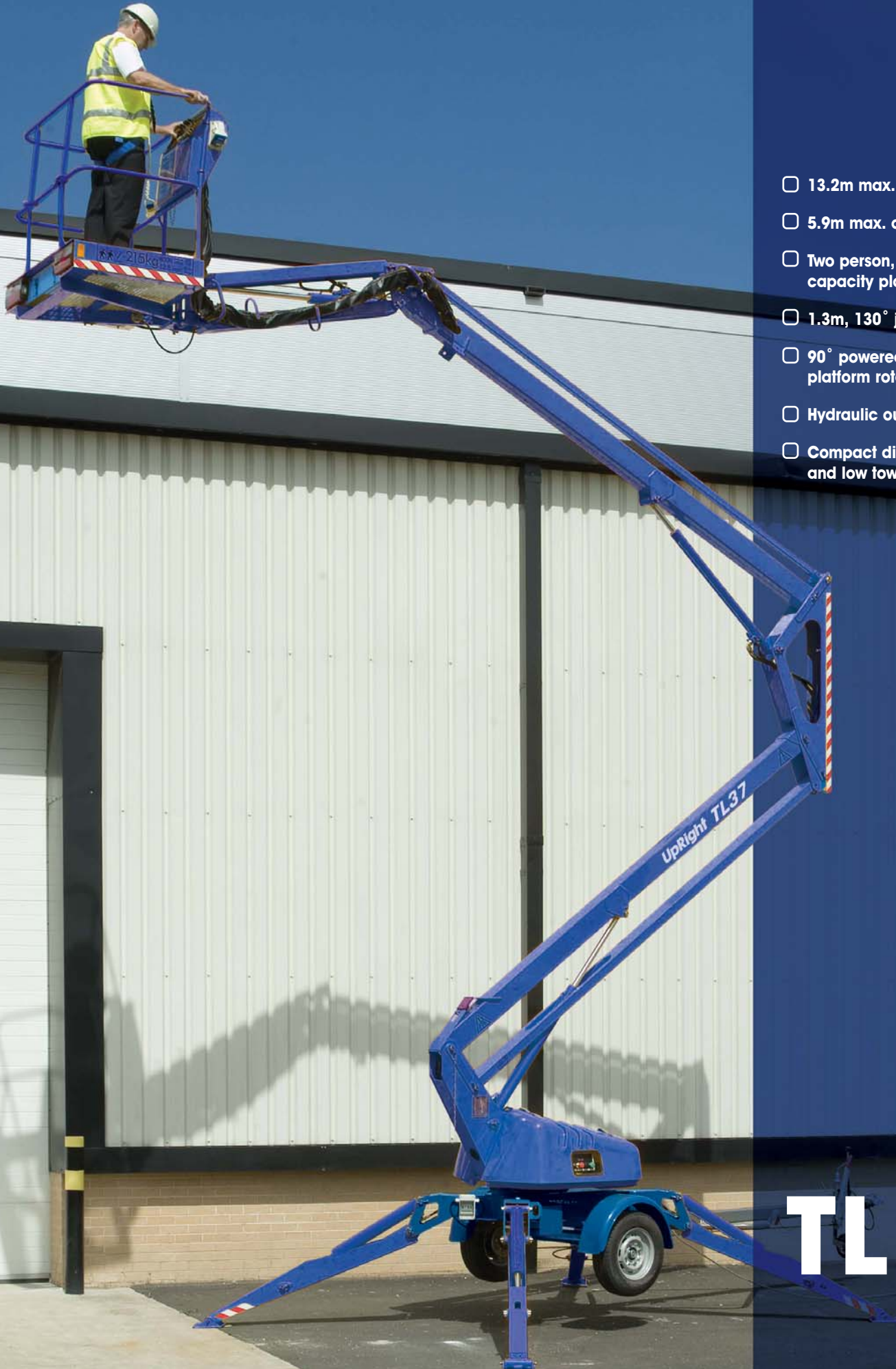


# Trailer Mount

**UpRight**  
POWERED ACCESS



- 13.2m max. working height
- 5.9m max. outreach
- Two person, 215kg capacity platform
- 1.3m, 130° jib
- 90° powered platform rotation
- Hydraulic outriggers
- Compact dimensions and low towing weight

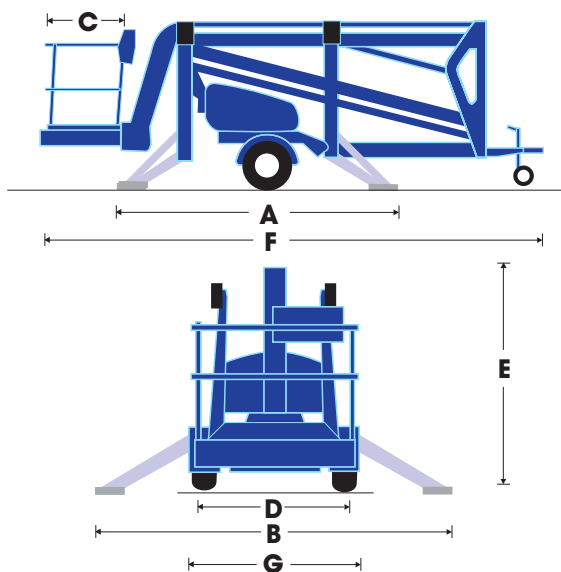
**TL37**

# TL37 trailer mount specifications

## TL37 TRAILER MOUNT

max. working height	13.2m
max. platform height	11.2m
max. outreach	5.9m
capacity (SWL)	215kg
outrigger footprint	3.60m(A) x 3.00m(B)
turret rotation	700°
platform rotation	90°
platform depth C	0.80m
platform width D	1.20m
stowed height E	1.95m
towing length F	6.30m
towing width G	1.48m
weight (battery model)	1,390kg*
control system	fully proportional hydraulic controls at basket and ground
power source	24V battery (4 x 6V 195ah batteries) 110V/230V mains
power options	bi-energy (diesel & battery) power

\* Machine towing weight depends on power configuration and supply of optional extras.



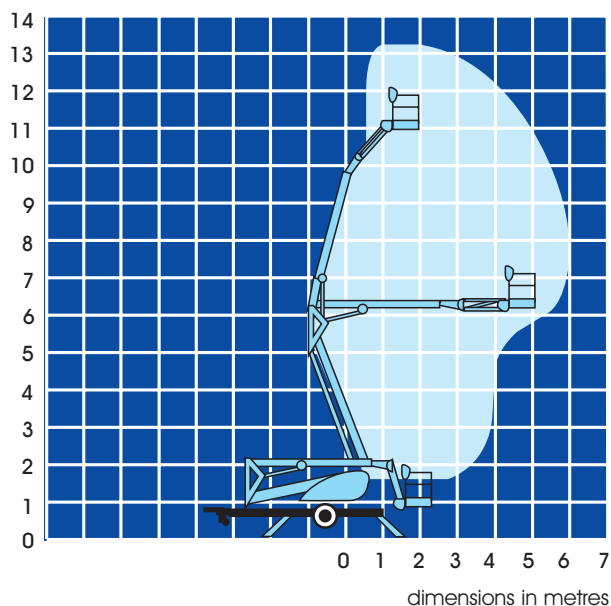
## standard features

- 1.3m jib with 130° working arc
- In-line boom design for maximum rigidity
- 6.3m travel length
- 1390kg towing weight
- 90° hydraulically powered platform rotation
- Cycle protection guards
- Hand pump emergency lowering from platform
- Lock valves on all hydraulic cylinders
- Proportional live hydraulic controls
- Automatic reversing and overrun braking
- Integral road lighting board
- 24V battery (4 x 6V 195ah batteries) or 110V / 230V mains power
- 1 year parts and labour warranty
- 5 year structural warranty

## options

- On-board 110V/230V generator for mains powered units
- Bi-Energy (Diesel and DC battery) power
- GRP platform
- Special paint colours

Other options available on request



**skyreach**  
access solutions

Sky House, Daurada Drive, Stafford,  
Staffordshire, ST17 4XW, U.K.

Tel: + 44 (0) 1785 244177 Fax: + 44 (0) 1785 229874

[www.skyreachaccess.com](http://www.skyreachaccess.com)

**CE** This product is available with the CE mark confirming compliance with all relevant European Machinery Directives

manufactured by  
**UpRight**  
POWERED ACCESS