

Boom Lift

UpRight

POWERED ACCESS



- Working height up to 13.5m
- 6.1m working outreach at 5.4m clearance height
- Simple one-hand proportional controls
- Tight inside turning radius 0.4m
- Efficient direct electric drive
- Platform rotator

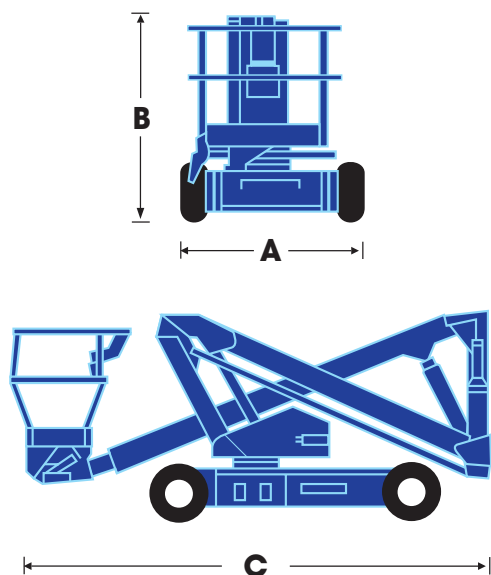
AB38N

AB38W

AB38N/38W boom lift specifications

	AB38N	AB38W
max. working height	13.5m	13.5m
max. platform height	11.5m	11.5m
max. working outreach	6.1m	6.1m
clearance height at max. outreach	5.4m	5.4m
platform capacity (SWL)	215kg	215kg
platform size - outside	0.6m x 1.2m	0.6m x 1.2m
width A	1.50m	1.72m
stowed height B	2.0m	2.0m
stowed length C	4.04m	4.04m
gross weight	3760kg	3160kg
gradeability	19.5° / 36%	19.5° / 36%
inside turning radius	0.4m	0.4m
outside turning radius	2.4m	2.66m
ground clearance	150mm	150mm
max. drive speed stowed	4.0km/h	4.0km/h
max. drive speed elevated	0.7km/h	0.7km/h
control system	smooth, one-hand proportional controls	
power source	8 x 6V, 220Ah batteries	

Specifications subject to change without notice. Photos and diagrams in this brochure are for promotional purposes only. Refer to appropriate UpRight Operators manual for detailed instructions on the proper use and maintenance.

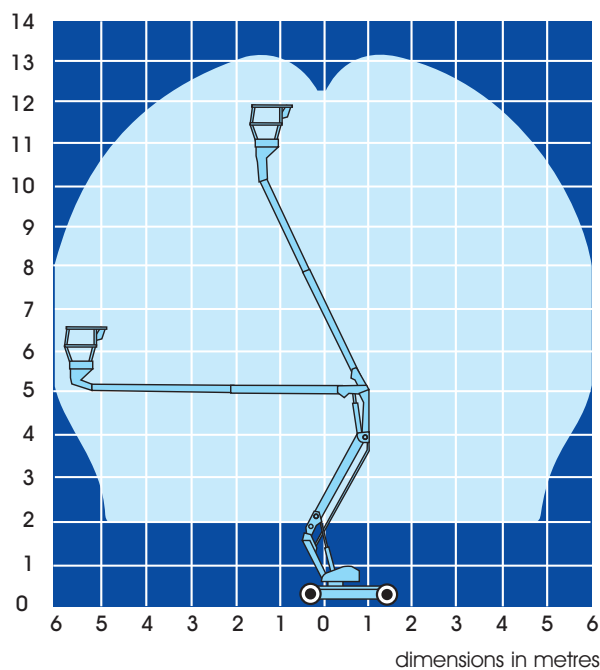


standard features

- Proportional one-hand controls
- Manual platform rotator
- Minimal front boom overhang
- Ultra-tight inside turning radius
- Tilt alarm
- Large, two person platform
- Direct DC drive parallel wired wheel motors
- Non-marking tyres
- Duplicate boom controls at ground level
- 1 year parts and labour warranty
- 5 year structural warranty

options

- Flashing amber beacon
- Power cable to platform
- Special paint colours
- Environmental green oil



skyreach
access solutions

Sky House, Daurada Drive, Stafford,
Staffordshire, ST17 4XW, U.K.

Tel: + 44 (0) 1785 244177

Fax: + 44 (0) 1785 229874

www.skyreachaccess.com

CE This product is available with the CE mark confirming compliance with all relevant European Machinery Directives

manufactured by
UpRight
POWERED ACCESS